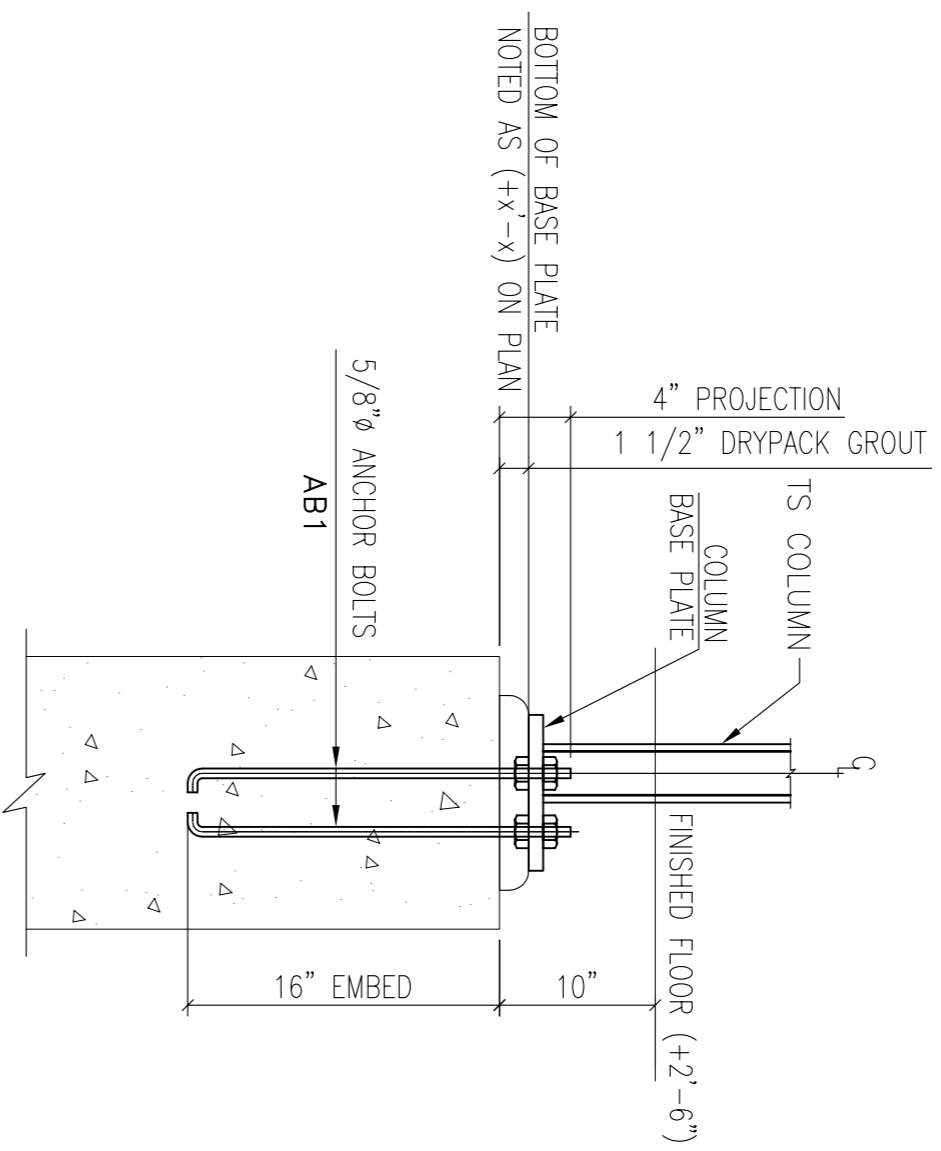
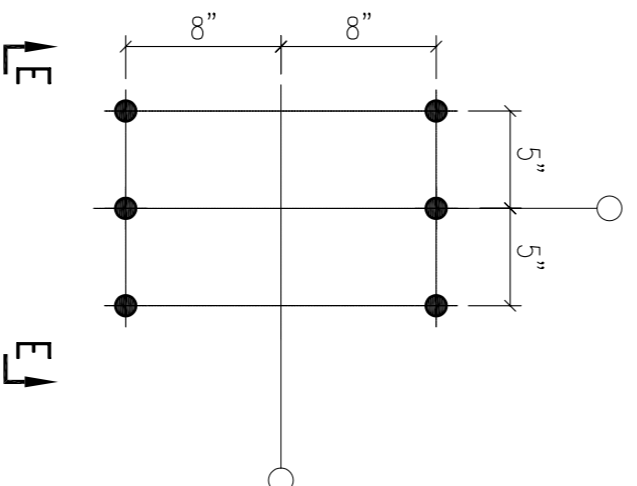


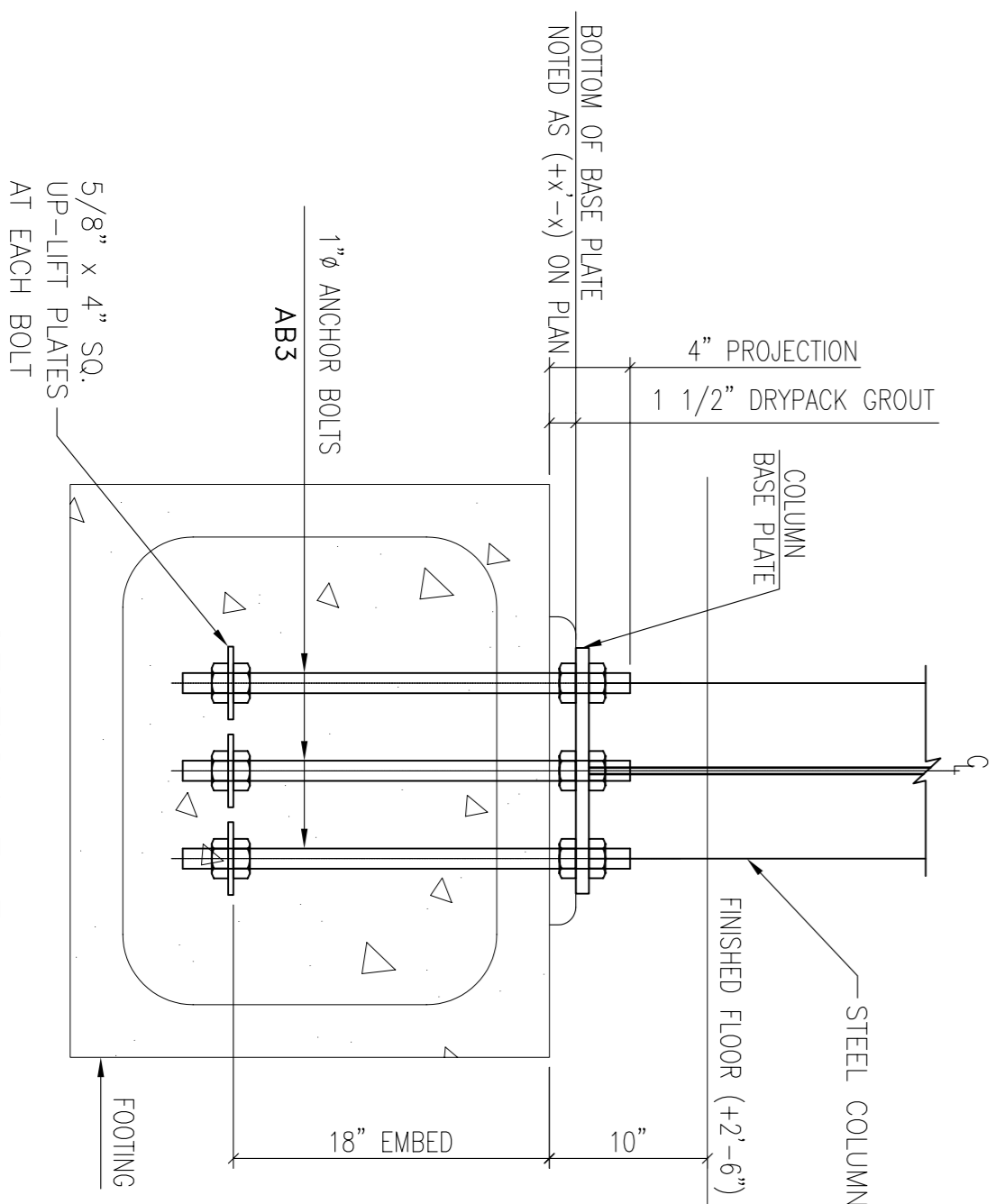
TYPICAL COLUMN BASE  
DETAIL FOR TYPE-A



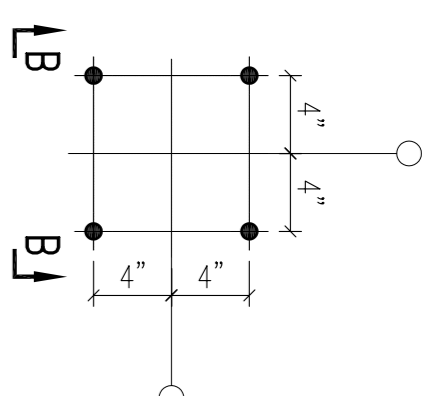
SECTION A-A  
(2) BP-7 ref: 8/S3.2



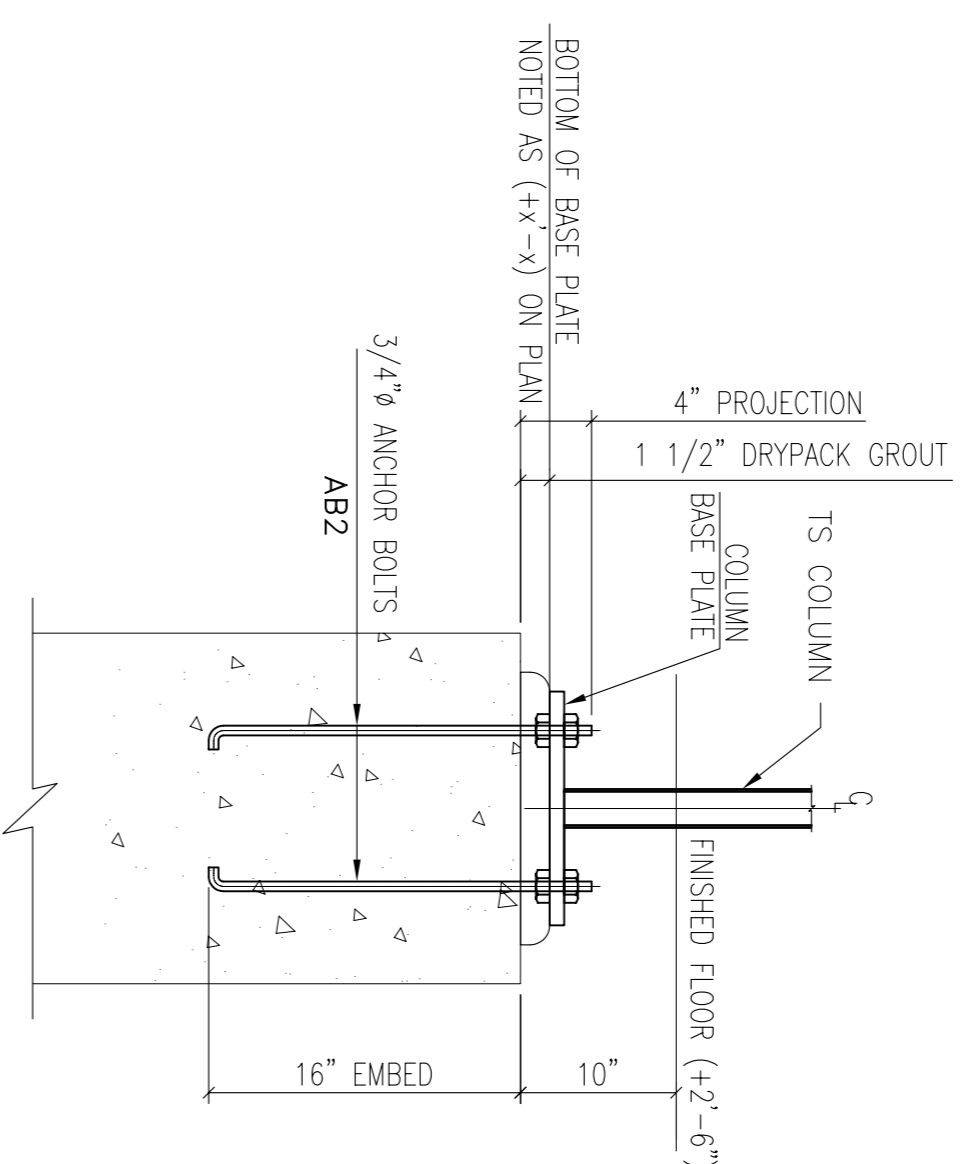
TYPICAL COLUMN BASE  
DETAIL FOR TYPE-E



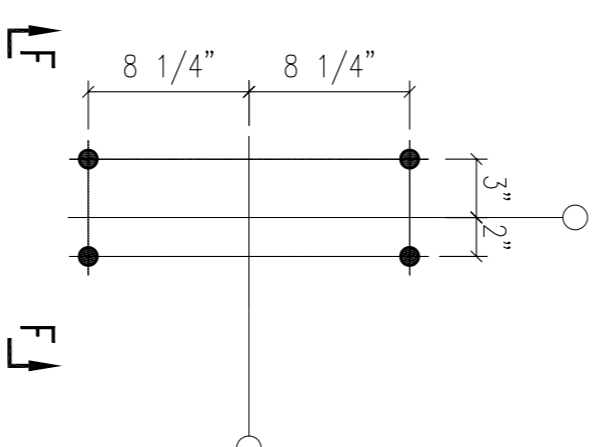
SECTION E-E  
(2) BP-4 ref: 9/S3.1



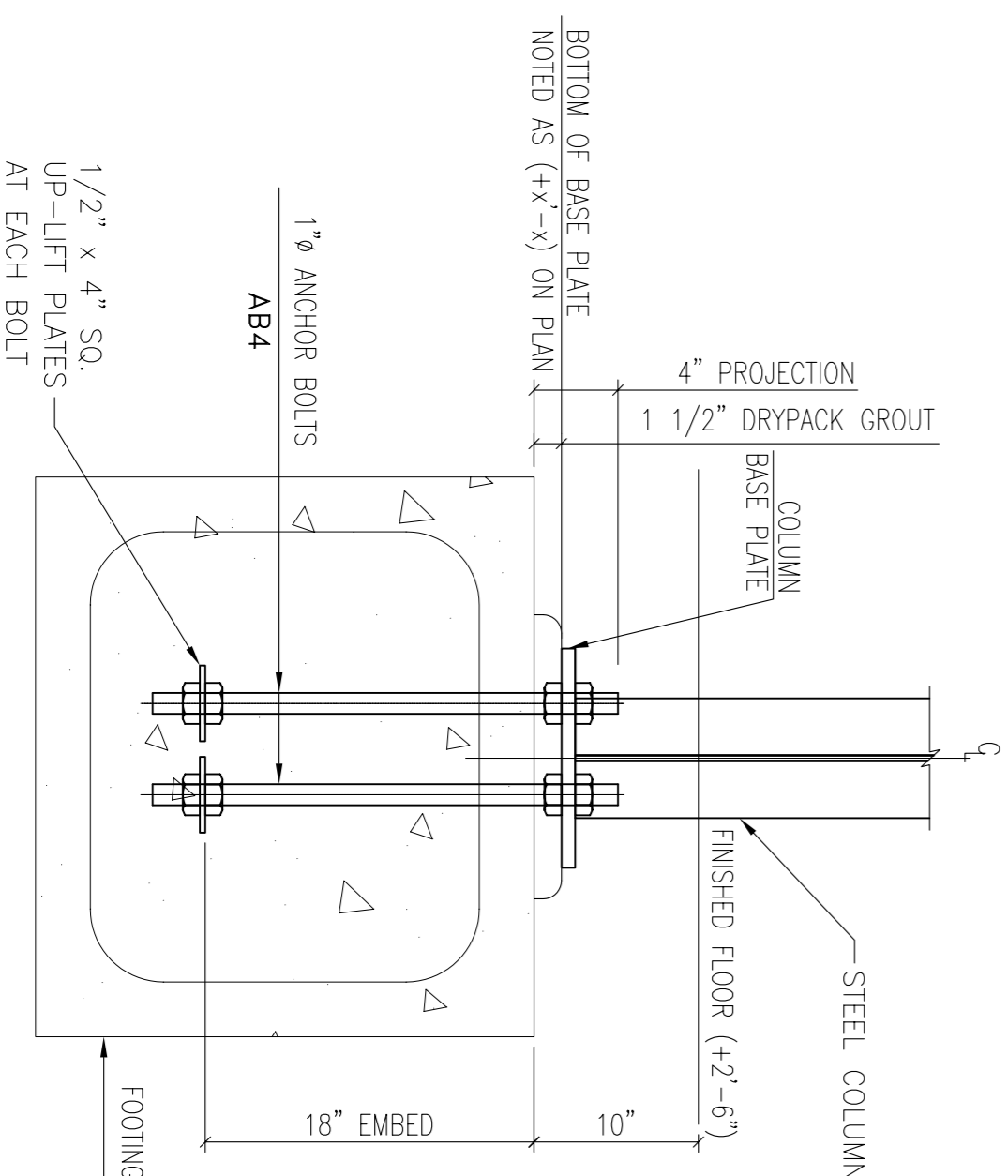
TYPICAL COLUMN BASE  
DETAIL FOR TYPE-B



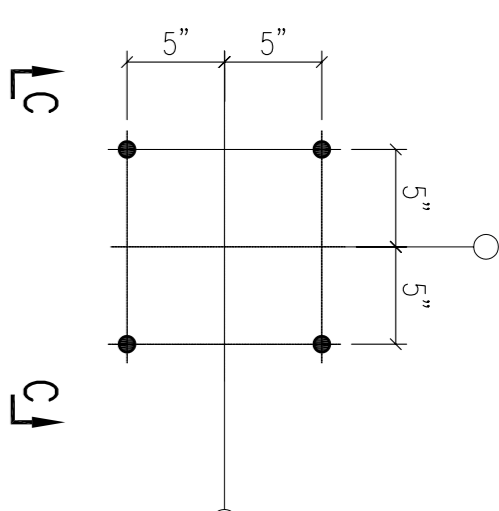
SECTION B-B  
(3) BP-1 ref: 8/S3.1



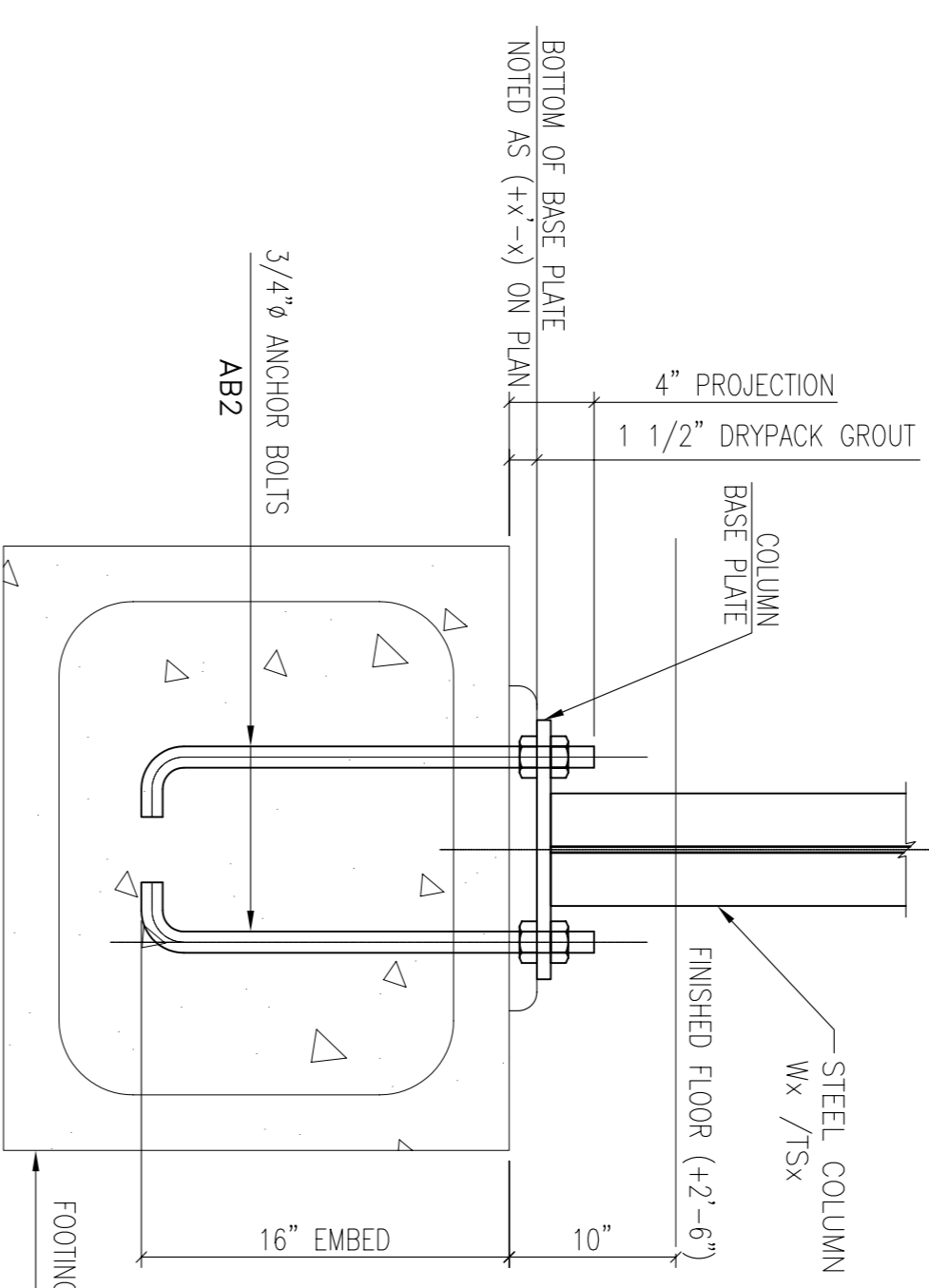
TYPICAL COLUMN BASE  
DETAIL FOR TYPE-F



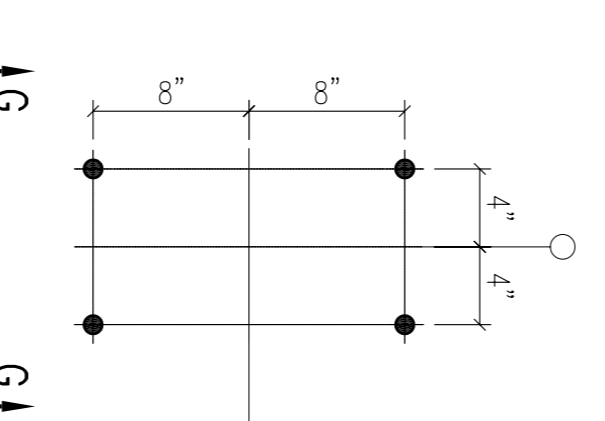
SECTION F-F  
(2) BP-6 ref: 5/S3.2



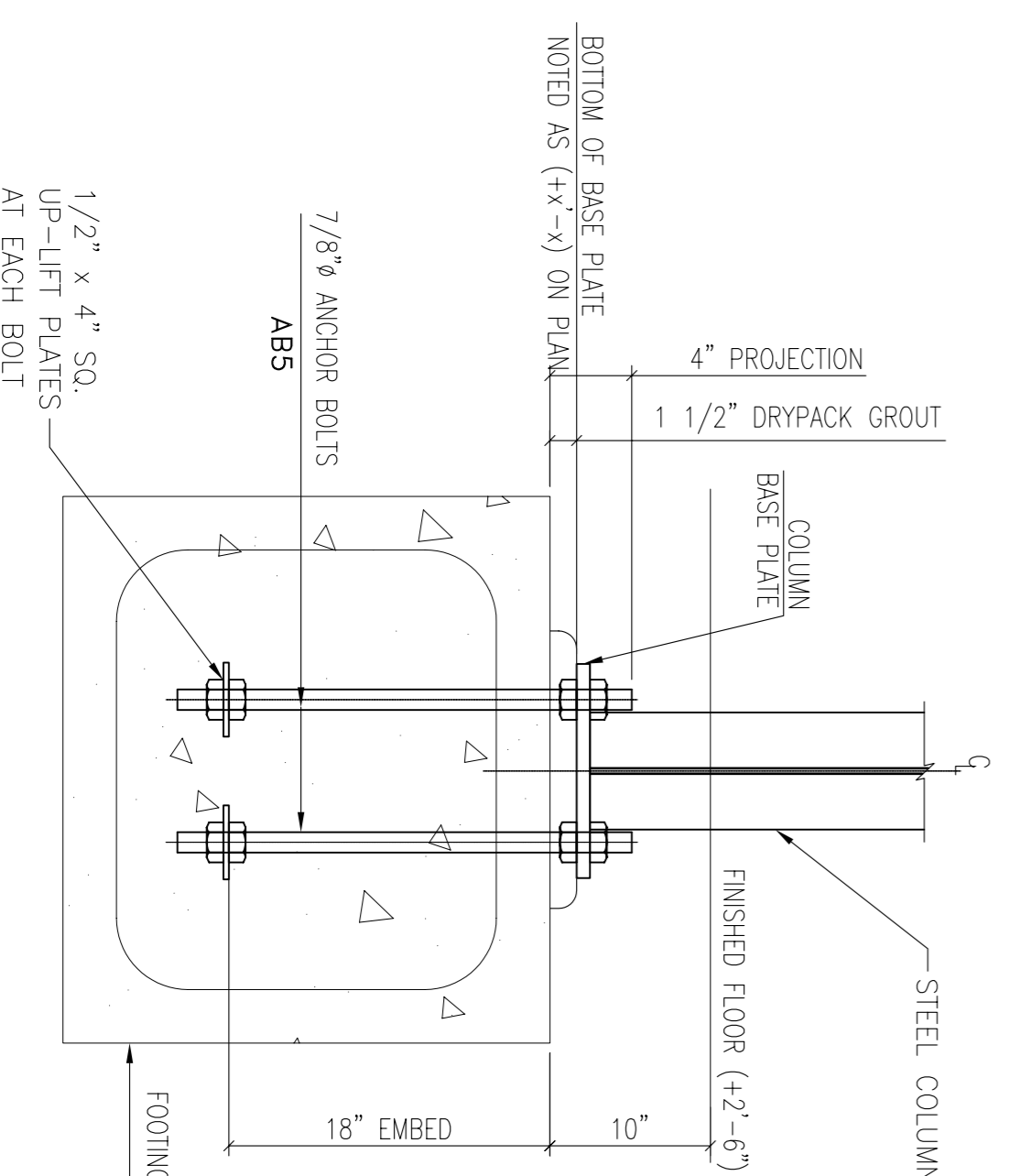
TYPICAL COLUMN BASE  
DETAIL FOR TYPE-C



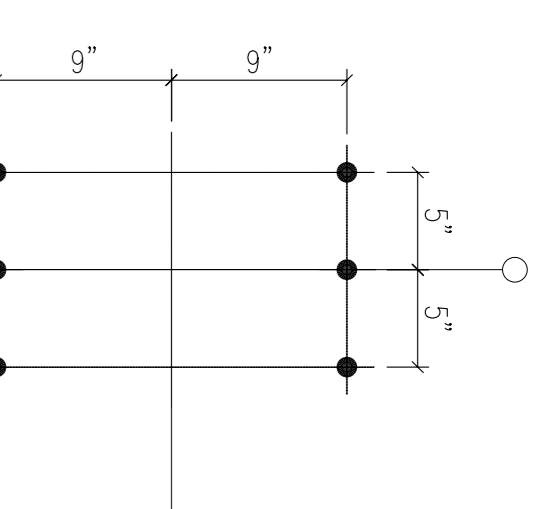
SECTION C-C  
(4) BP-2 ref: 8/S3.1



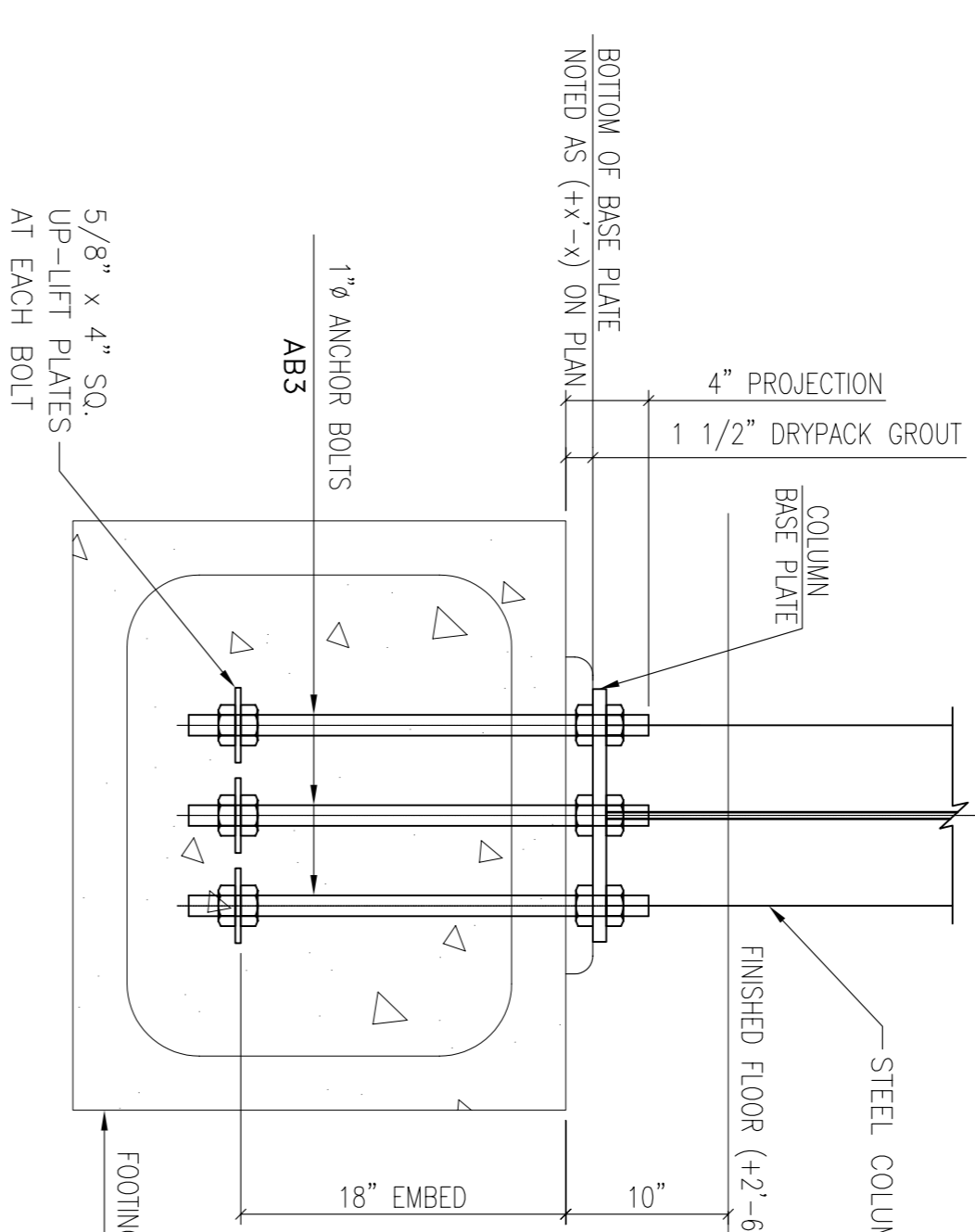
TYPICAL COLUMN BASE  
DETAIL FOR TYPE-G



SECTION G-G  
(3) BP-3 ref: 9/S3.1



TYPICAL COLUMN BASE  
DETAIL FOR TYPE-D



SECTION D-D  
(2) BP-5 ref: 9/S3.1

- NOTE:**
1. READ THIS DRAWING IN CONJUNCTION WITH DWG 010-AB-01 & 03.
  2. LEVELS SHOWN ON PLAN ARE WITH RESPECT TO ACTUAL GRADE LEVEL, 100=0'-0".
  3. ALL ANCHOR BOLTS SHALL BE ASTM A307 UNO.
  4. CONTRACTOR SHALL COORDINATE STRUCTURAL STEEL WITH ALL TRUSS, MECHANICAL AND STEEL ELECTRICAL WORK AND ADJACENT CONSTRUCTION.