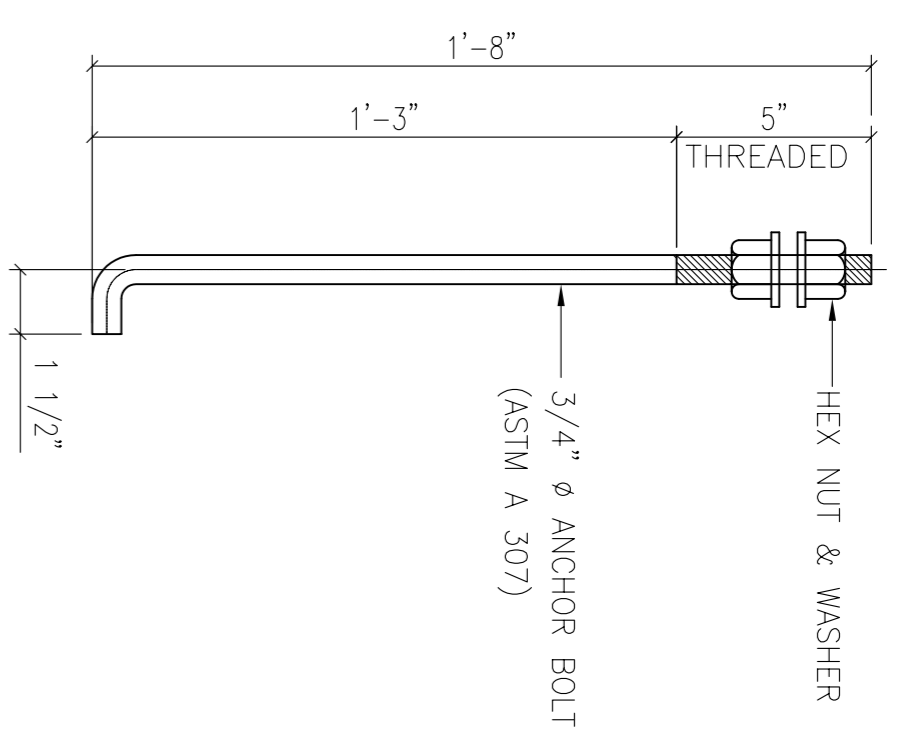
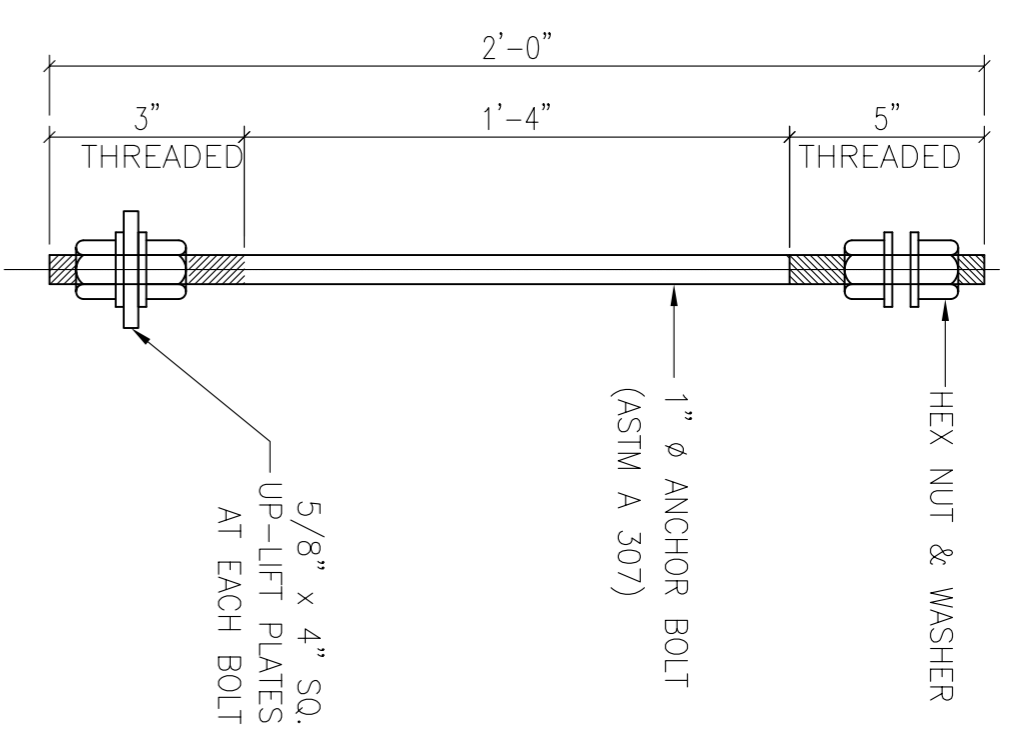


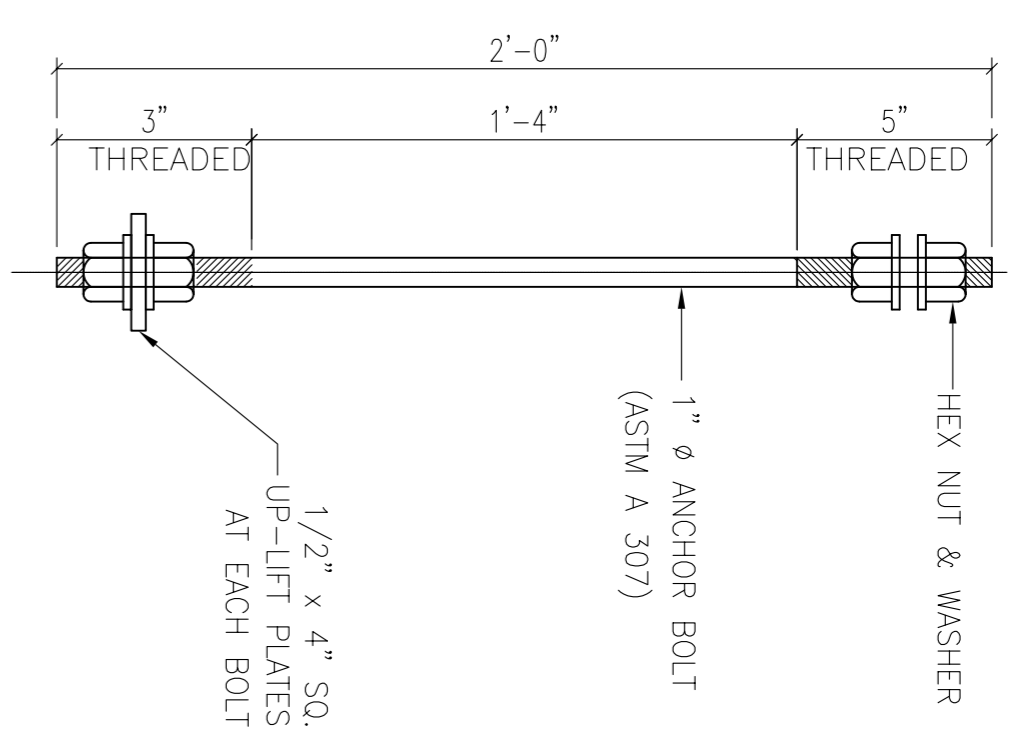
ANCHOR BOLTS-AB1
(QTY-8)



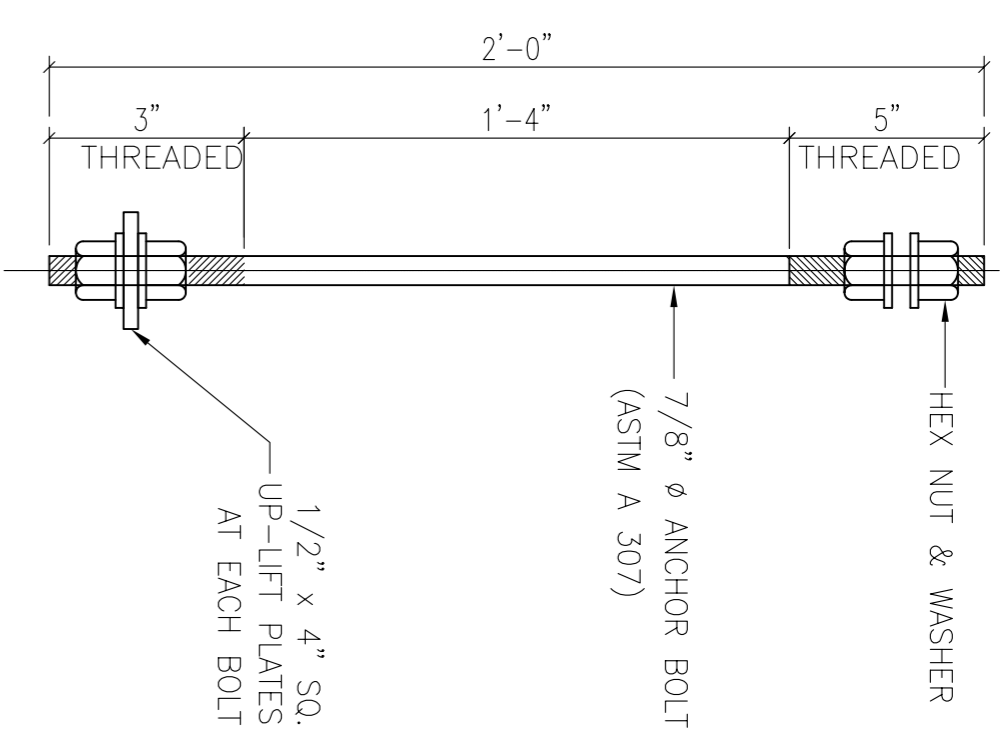
ANCHOR BOLTS-AB2
(QTY-28)



ANCHOR BOLTS-AB3
(QTY-24)



ANCHOR BOLTS-AB4
(QTY-8)



ANCHOR BOLTS-AB5
(QTY-12)

- NOTE:**
1. READ THIS DRAWING IN CONJUNCTION WITH DWG 010-AB-01 & 02.
 2. LEVELS SHOWN ON PLAN ARE WITH RESPECT TO ACTUAL GRADE LEVEL 100=0-0.
 3. ALL ANCHOR BOLTS SHALL BE ASTM A307 UNO.
 4. CONTRACTOR SHALL COORDINATE STRUCTURAL STEEL WITH ALL TRUSS, MECHANICAL AND STEEL ELECTRICAL WORK AND ADJACENT CONSTRUCTION.